

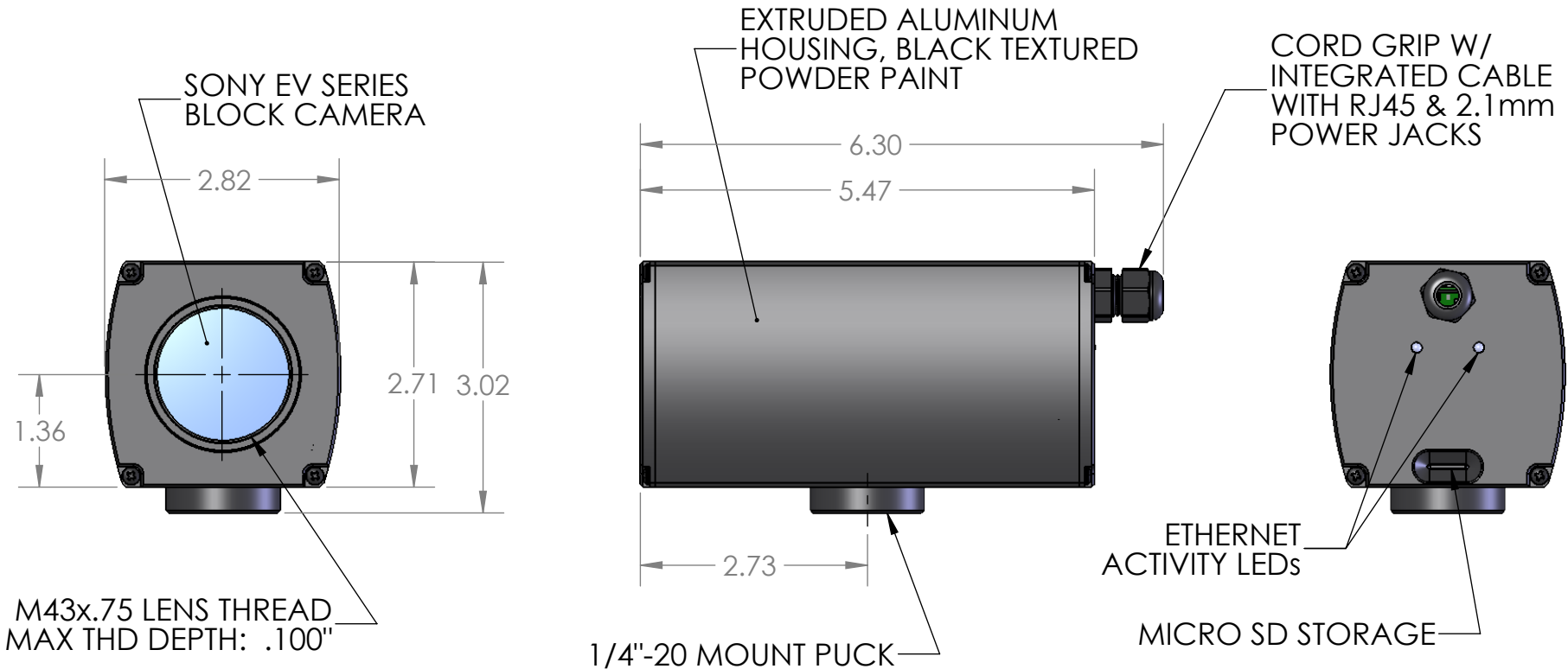
# **XBLOCK FCB-EV7520 WITH 12V IP INTERFACE**

## **INDOOR CAMERA ASSEMBLY**

**iShot®**  
**XBlock®**

iShot® Camera Integration Solutions

[CLICK HERE TO VIEW ON OUR WEBSITE](#)



**DIMENSIONS ARE IN INCHES**  
STANDARD TOLERANCES UNLESS OTHERWISE SPECIFIED ARE:  
0 - 0.125 ± 0.002, 0.125 - 0.625 ± 0.004,  
0.625 - 1.188 ± 0.006, 1.188 - 4.000 ± 0.008,  
ANGULAR ± 0.5° FRACTIONAL ±



**Model Number: EM18081**

PDF created on 08/11/16 WHH  
Specifications are subject to change without notice.

Drawing created on 08/11/16 RW  
Specifications are subject to change without notice.

